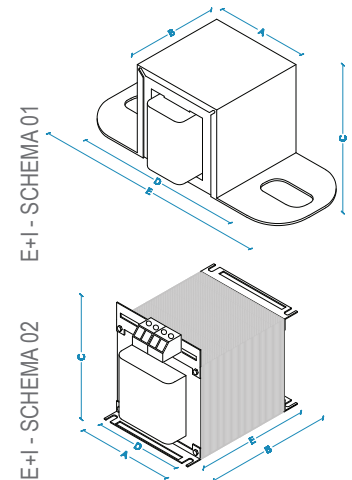


Questa serie è adatta ad impieghi gravosi, a pieno carico e per un utilizzo 24/24h. Realizzata per garantire un bassissimo autoconsumo, è in grado di sopportare anche un sovraccarico del 15% ad uso continuativo e del 50% ad uso discontinuo. Esecuzione in aria, avvolgimenti in rame elettrolitico smaltato, lamierini in grani orientati e totale impregnazione del trasformatore in vernice isolante trasparente. Realizzate sia nella versione E+I che U+I.

This series is made for all heavy, full load and 24/7 uses. Realized to guarantee a lower auto-consumption, transformer are capable of stand a 15% overload in continuous use and a 50% overload in discontinuous use. Transformer are realized with glazed copper and grain oriented core. Furthermore single-phase transformer are immersed in transparent insulation varnish. Realized in version E+I or U+I.

|   |   |
|---|---|
| Potenza<br><i>Power range</i>                                       | 6VA ÷ 30kVA   |
| Tensione primario<br><i>Primary voltage</i>                         | 1000V max   |
| Tensione secondario/i<br><i>Secondary/ies voltage</i>               | 5000V max   |
| Frequenza<br><i>Frequency</i>                                       | 50/60 Hz  |
| Temperatura ambiente di esercizio<br><i>Operating temperature</i>   | 55°C/131°F max  |
| Grado di protezione<br><i>Protection level</i>                      | IP00  |
| Classe isolamento<br><i>Electrical insulation class</i>             | F / H   |
| Classe termica<br><i>Temperature class</i>                          | B   |
| Tensione di prova di isolamento<br><i>Insulation resistant test</i> | - in aria / without resin insulation: 5000V<br>- in resina / with resin insulation: fino a / up to 12000V |
| Norme di riferimento<br><i>Relevant requirement</i>                 | EN61558, EN60076, RoHS2   |

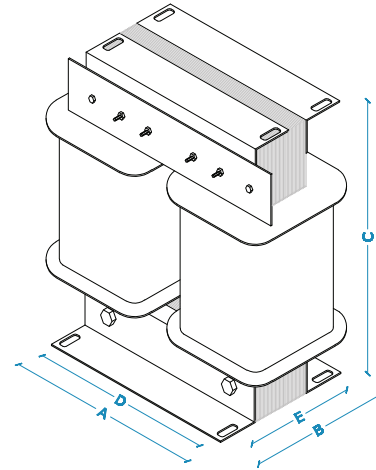


#### OPTIONAL:

- Altre potenze a richiesta / Other power range on demand
- Smalto rosso isolante / Red insulation varnish
- Schermo elettrostatico / Electrostatic shield
- Schermo elettromagnetico / Electromagnetic shield
- Avvolgimenti inglobati in resina epossidica o poliuretana / Windings immersed in epoxy or polyurethane resin
- Protezioni termiche autoripristinanti / Auto-rest thermal protection
- Isolamento maggiorato / Higher insulation
- Esecuzioni custom / Other request on demand

| SERIE<br>SERIES<br><br><u>VER. E+I</u> | POTENZA<br>POWER<br>[VA] | DIMENSIONI<br>DIMENSION<br>[mm] |     |     | INTERASSI<br>INTERAXLE SPACING<br>[mm] |     | PESO<br>WEIGHT<br>[kg] | REND.<br>EFFICIENCY<br>[%] | Vcc<br>[%] | FIG.<br>PIC. |
|--|--------------------------|---------------------------------|-----|-----|--|-----|------------------------|----------------------------|------------|--------------|
|  |                          | A                               | B   | C   | D                                      | E   |                        |                            |            |              |
| TMP000006                              | 6                        | 50                              | 38  | 41  | 61                                     | 74  | 0.25                   | 79                         | 16         | 1            |
| TMP000018                              | 18                       | 62                              | 45  | 52  | 72                                     | 90  | 0.52                   | 85                         | 13         | 1            |
| TMP000030                              | 30                       | 62                              | 55  | 52  | 72                                     | 90  | 0.75                   | 87                         | 11         | 1            |
| TMP000050                              | 50                       | 75                              | 60  | 84  | 55                                     | 51  | 1.20                   | 87                         | 10.50      | 2            |
| TMP000095                              | 95                       | 84                              | 69  | 92  | 60                                     | 59  | 1.72                   | 89                         | 8.76       | 2            |
| TMP000120                              | 120                      | 96                              | 73  | 102 | 68                                     | 57  | 2.10                   | 90                         | 8.51       | 2            |
| TMP000180                              | 180                      | 96                              | 81  | 102 | 68                                     | 65  | 2.60                   | 91                         | 7.48       | 2            |
| TMP000230                              | 230                      | 96                              | 91  | 102 | 68                                     | 75  | 3.20                   | 92                         | 6.70       | 2            |
| TMP000280                              | 280                      | 96                              | 100 | 102 | 68                                     | 85  | 3.80                   | 92                         | 5.96       | 2            |
| TMP000300                              | 300                      | 120                             | 85  | 122 | 80                                     | 68  | 4.30                   | 96                         | 5.61       | 2            |
| TMP000400                              | 400                      | 120                             | 95  | 122 | 80                                     | 78  | 5.20                   | 96                         | 5.21       | 2            |
| TMP000500                              | 500                      | 120                             | 105 | 122 | 80                                     | 88  | 6.10                   | 94                         | 4.85       | 2            |
| TMP000700                              | 700                      | 150                             | 110 | 147 | 105                                    | 80  | 8.10                   | 94                         | 4.80       | 2            |
| TMP000900                              | 900                      | 150                             | 120 | 147 | 105                                    | 90  | 9.50                   | 94                         | 4.51       | 2            |
| TMP001100                              | 1100                     | 150                             | 130 | 147 | 105                                    | 100 | 11.00                  | 95                         | 4.10       | 2            |
| TMP001300                              | 1300                     | 150                             | 140 | 147 | 105                                    | 110 | 12.00                  | 95                         | 3.77       | 2            |
| TMP001600                              | 1600                     | 184                             | 145 | 174 | 108                                    | 115 | 15.90                  | 95                         | 3.66       | 2            |
| TMP002000                              | 2000                     | 197                             | 147 | 182 | 128                                    | 100 | 18.00                  | 95                         | 3.75       | 2            |
| TMP002600                              | 2600                     | 197                             | 167 | 182 | 128                                    | 120 | 23.00                  | 96                         | 3.05       | 2            |
| TMP003000                              | 3000                     | 197                             | 177 | 182 | 128                                    | 130 | 25.00                  | 96                         | 3.03       | 2            |
| TMP003500                              | 3500                     | 220                             | 170 | 212 | 195                                    | 120 | 28.00                  | 96                         | 3.11       | 2            |
| TMP004000                              | 4000                     | 220                             | 180 | 212 | 195                                    | 130 | 31.00                  | 96                         | 3.05       | 2            |
| TMP005000                              | 5000                     | 250                             | 200 | 240 | 190                                    | 135 | 40.40                  | 97                         | 2.66       | 2            |

|           |       |     |     |     |     |     |        |    |      |   |
|-----------|-------|-----|-----|-----|-----|-----|--------|----|------|---|
| TMP006000 | 6000  | 250 | 220 | 240 | 190 | 155 | 47.60  | 97 | 2.34 | 2 |
| TMP008000 | 8000  | 250 | 240 | 240 | 190 | 175 | 58.30  | 97 | 2.14 | 2 |
| TMP010000 | 10000 | 360 | 250 | 320 | 325 | 162 | 90.80  | 97 | 2.60 | 2 |
| TMP012000 | 12000 | 360 | 270 | 320 | 325 | 182 | 106.10 | 97 | 2.50 | 2 |
| TMP016000 | 16000 | 420 | 290 | 370 | 375 | 215 | 157.30 | 98 | 1.60 | 2 |
| TMP020000 | 20000 | 420 | 300 | 370 | 375 | 215 | 165.20 | 98 | 2.30 | 2 |
| TMP025000 | 25000 | 480 | 290 | 420 | 425 | 248 | 233.00 | 98 | 1.60 | 2 |
| TMP030000 | 30000 | 480 | 300 | 420 | 425 | 248 | 241.30 | 98 | 2.00 | 2 |



U+I - SCHEMA 03

| SERIE<br>SERIES<br><b>VER. U+I</b> | POTENZA<br>POWER<br>[VA] | DIMENSIONI<br>DIMENSION<br>[mm] |     |     | INTERASSI<br>INTERAXLE SPACING<br>[mm] |     | PESO<br>WEIGHT<br>[kg] | REND.<br>EFFICIENCY<br>[%] | Vcc<br>[%] | FIG.<br>PIC. |
|------------------------------------|--------------------------|---------------------------------|-----|-----|--|-----|------------------------|----------------------------|------------|--------------|
|                                    |                          | A                               | B   | C   | D                                      | E   |                        |                            |            |              |
| TMS001000                          | 1000                     | 160                             | 160 | 205 | 120                                    | 88  | 11.20                  | 93                         | 10.75      | 3            |
| TMS001400                          | 1400                     | 160                             | 170 | 205 | 120                                    | 98  | 13.80                  | 94                         | 9.46       | 3            |
| TMS001750                          | 1750                     | 160                             | 185 | 205 | 120                                    | 113 | 16.30                  | 94                         | 7.82       | 3            |
| TMS002000                          | 2000                     | 200                             | 180 | 255 | 150                                    | 94  | 19.40                  | 94                         | 8.56       | 3            |
| TMS002500                          | 2500                     | 200                             | 190 | 255 | 150                                    | 104 | 22.40                  | 95                         | 7.89       | 3            |
| TMS003000                          | 3000                     | 200                             | 200 | 255 | 150                                    | 114 | 25.00                  | 95                         | 7.03       | 3            |
| TMS004000                          | 4000                     | 240                             | 220 | 305 | 205                                    | 134 | 35.00                  | 96                         | 5.75       | 3            |
| TMS005000                          | 5000                     | 240                             | 230 | 305 | 205                                    | 144 | 40.00                  | 96                         | 5.35       | 3            |
| TMS006000                          | 6000                     | 240                             | 240 | 305 | 205                                    | 154 | 44.00                  | 96                         | 5.46       | 3            |
| TMS007000                          | 7000                     | 280                             | 260 | 355 | 235                                    | 150 | 55.40                  | 96                         | 4.93       | 3            |
| TMS008000                          | 8000                     | 280                             | 270 | 355 | 235                                    | 160 | 59.00                  | 96                         | 4.75       | 3            |
| TMS009000                          | 9000                     | 280                             | 280 | 355 | 235                                    | 170 | 71.00                  | 96                         | 4.58       | 3            |
| TMS010000                          | 10000                    | 320                             | 310 | 410 | 265                                    | 180 | 82.00                  | 97                         | 4.27       | 3            |
| TMS011000                          | 11000                    | 320                             | 320 | 410 | 265                                    | 190 | 90.00                  | 97                         | 4.06       | 3            |
| TMS012000                          | 12000                    | 320                             | 330 | 410 | 265                                    | 200 | 98.00                  | 97                         | 3.88       | 3            |
| TMS013000                          | 13000                    | 320                             | 340 | 410 | 265                                    | 210 | 105.50                 | 97                         | 3.72       | 3            |
| TMS014000                          | 14000                    | 320                             | 350 | 410 | 265                                    | 220 | 113.00                 | 97                         | 3.57       | 3            |